



U.S. Department  
of Transportation  
**Federal Highway  
Administration**

October 19, 2009

1200 New Jersey Avenue, SE  
Washington, D.C. 20590

In Reply Refer To:  
HSSD/WZ-216

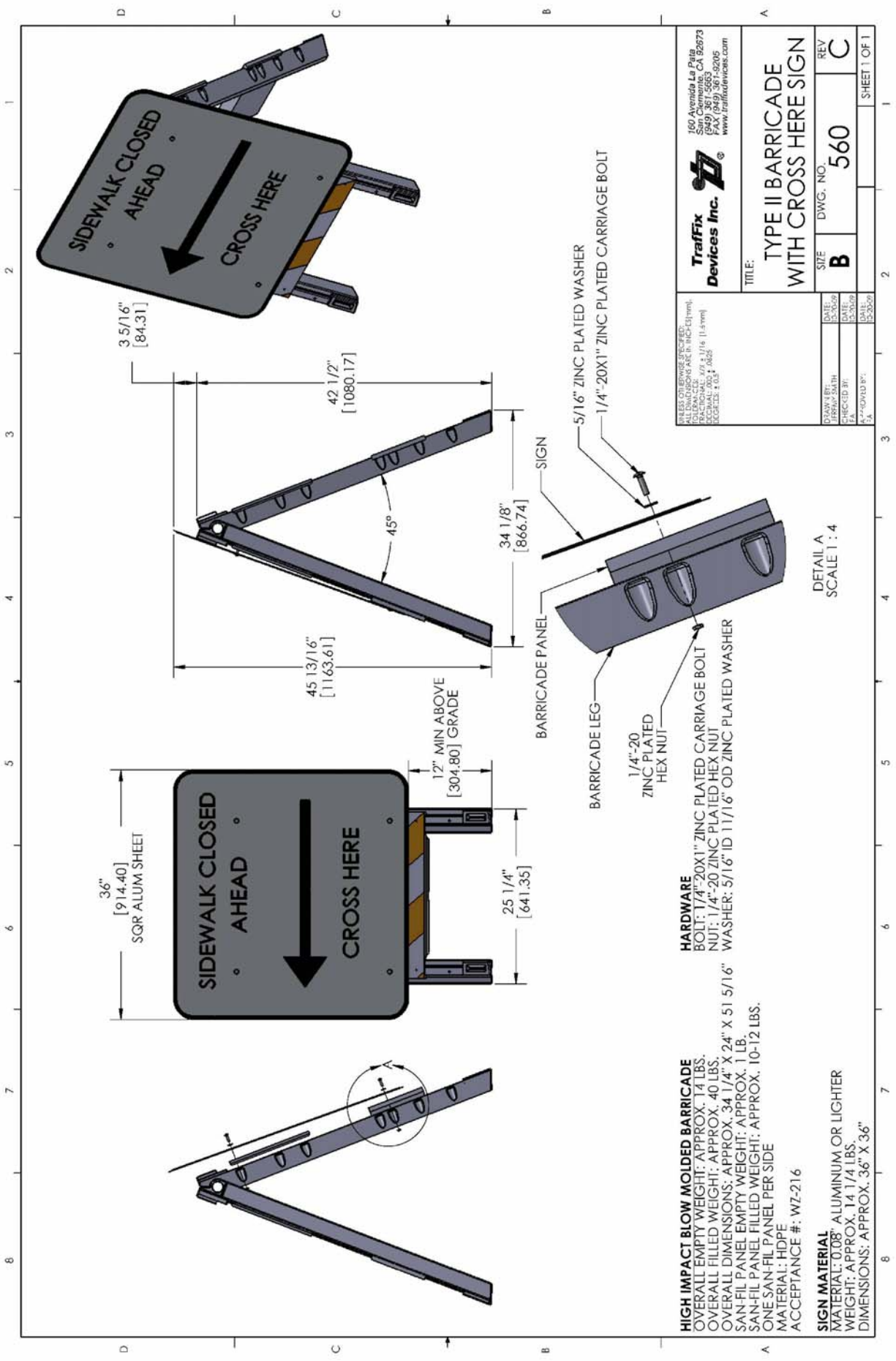
This addendum updates the FHWA Acceptance letter WZ-216 to include a description and detail drawings of acceptable applications of Traffix Devices Economy Plastic 36000 Series with two san-fil panels and other standard equivalent Type I and Type II folding barricades (Series 35000, 37000, and 39000).

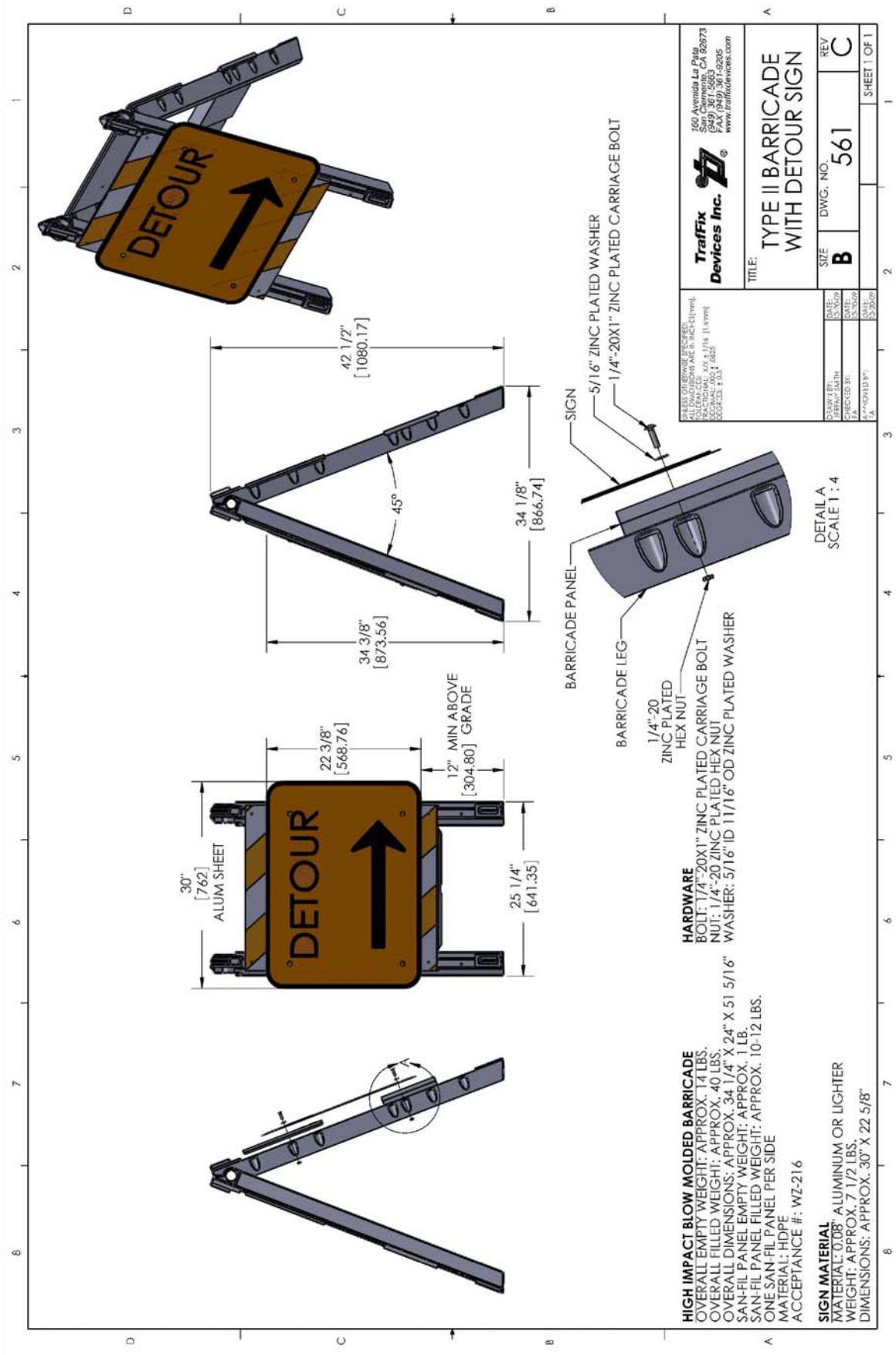
Each barricade may be used with one 30-inch wide by 24-inch tall, or one 36-inch square aluminum sign panel made of .08-inch solid aluminum or lighter substrate of same size, with attachment hardware as located and specified in the enclosed drawings.

The sign panel must be attached to the barricade framing with a set of two bolts and fender washers. The aluminum signs should not be rotated and attached in a diamond configuration. The sign panel configurations described above are a less severe configuration than what Traffix has previously tested and documented in WZ-216. Therefore, this configuration will not adversely affect the crashworthy performance of the Type I or Type II barricades described above and it is acceptable for use on the National Highway System (NHS).

Enclosures







**Traffix Devices Inc.**  
 601 Avenida La Pail  
 Redwood City, CA 94063  
 (949) 361-5563  
 FAX (949) 361-9205  
 www.traffixdevices.com

**TITLE:** TYPE II BARRICADE WITH DETOUR SIGN

SIZE	DWG. NO.	REV
B	561	C

**FILES OR REVISED:** 03/15/09  
**DESIGNED BY:** JEREMY BATH  
**CHECKED BY:** T.A.  
**DATE:** 03/25/09  
**SCALE:** 1:4  
**DATE:** 03/25/09

**HIGH IMPACT BLOW MOLDED BARRICADE**  
 OVERALL EMPTY WEIGHT: APPROX. 14 LBS.  
 OVERALL FILLED WEIGHT: APPROX. 40 LBS.  
 OVERALL DIMENSIONS: APPROX. 34 1/4" X 24" X 51 5/16"  
 SAN-FIL PANEL EMPTY WEIGHT: APPROX. 1 LB.  
 SAN-FIL PANEL FILLED WEIGHT: APPROX. 10-12 LBS.  
 MATERIAL: HDPE  
 ACCEPTANCE #: WZ-216

**SIGN MATERIAL:** ALUMINUM OR LIGHTER  
 WEIGHT: APPROX. 7 1/2 LBS.  
 DIMENSIONS: APPROX. 30" X 22 5/8"

**HARDWARE**  
 BOLT: 1/4"-20X1" ZINC PLATED CARRIAGE BOLT  
 NUT: 1/4"-20 ZINC PLATED HEX NUT  
 WASHER: 5/16" ID 1 1/16" OD ZINC PLATED WASHER

DETAIL A  
 SCALE 1 : 4

SHEET 1 OF 1