

**TraFFix
Devices Inc.**



TraFFix WATER-CABLE Barrier™

MASH Tested, Passed and Eligible
TL-1 and TL-2



45332-MO

45332-MW

- TraFFix Water-Cable Barrier has been MASH Tested, Passed and Eligible at TL-1 31 mph (50 km/hr) and TL-2 43.5 mph (70 km/hr) levels.
- Molded in galvanized steel cables (3) strengthens water-cable barrier to resist vehicle penetration during an impact.
- Double wall knuckle design minimizes breakage at hinge points.
- Durable polyethylene plastic with ultra violet additives resist fading, cracking and breaking.
- Hinge design allows for a 30-degree pivot between sections.
- Large 8" fill hole speeds filling process, includes twist-lock plastic cap.
- Tamper resistant drain plug with coarse buttress thread eliminates cross threading and quickly screws in or out in only 2 1/2 turns.
- Includes one steel connection pin that allows sections to be linked together.
- Forklift / pallet jack slots for easy movement and placement.
- Standard colors are orange/red or white - additional colors available upon request.



TraFFix WATER-CABLE Barrier™



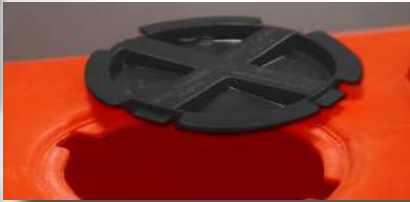
TraFFix Water-Cable Barrier™

Specification

Water-Cable Barrier to be 72" (1.9 m) long x 18" (0.46 m) wide x 32" (0.8 m) tall and molded from polyethylene. Water-Cable Barrier to be MASH tested, passed and eligible for TL-1 31 mph (50 km/hr) and TL-2 43.5 mph (70 km/hr) barrier applications. Individual wall shall weigh 100 lbs (45.4 kg) including internal cables empty and 1,070 lbs. (485.3 kg) when filled. Three 3/8" diameter stranded steel cables are molded into the wall to contain the impacting vehicle during an accident. Standard colors are orange/red and white, product may also be produced in other colors. Water-Cable Barrier modules are connected together with galvanized steel T-pins passing through a double wall knuckle which minimizes breakage at hinge points. Water-Cable Barrier shall pivot up to 30 degrees when connected. Water-Cable Barrier to have one 8 in (203 mm) diameter fill hole for quick filling and a twist lock cap for closure. Water-Cable Barrier will have molded fork lift slots to provide easy movement. Drain plug to be centered on the modules to protect against cracking or breaking and have coarse buttress threads for quick removal and insertion. Water-Cable Barriers shall stack for easy movement and storage.



Water-Cable Barrier stacks for storage and transportation



Large 8" fill hole speeds filling process, includes twist-lock plastic cap



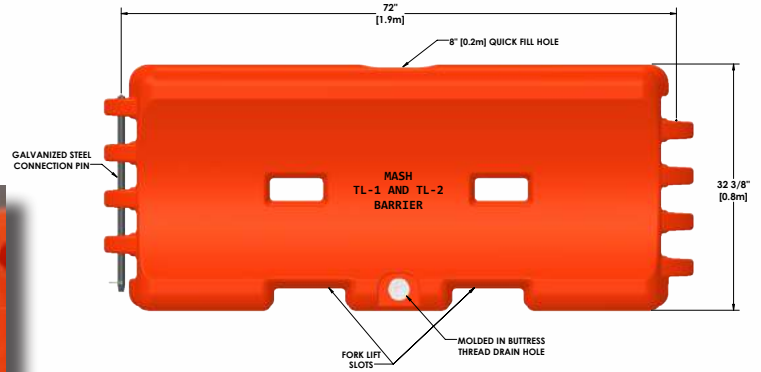
Water-Cable Barrier can be easily lifted and placed using a forklift or pallet jack



Tamper resistant, offset drain plug with coarse buttress thread



Water-Cable Barrier can pivot 30-degrees and be locked together with steel connection pins



MASH & NCHRP 350 Eligibility Letters:

MASH Eligible TL-1 Longitudinal Barrier - B-271

MASH Eligible TL-2 Longitudinal Barrier - B-272

NCHRP 350 Eligible TL-1 Barrier - B-130

NCHRP 350 Eligible TL-3 Barricade - WZ-224

Specifications

Length	72" (1.9m)
Width	18" (0.46m)
Height	32" (0.8m)
Weight (Empty)	100 lbs. (45.4 kg)
Weight (Filled with water)	1,070 lbs. (485.3 kg)
Material	Polyethylene Plastic
Color	Orange/Red or White

Distributed by:



**TraFFix
Devices Inc.**
160 Avenida La Pata, San Clemente, CA 92673
(949) 361-5663 FAX (949) 361-9205
www.traffixdevices.com