

SPARE PARTS LIST

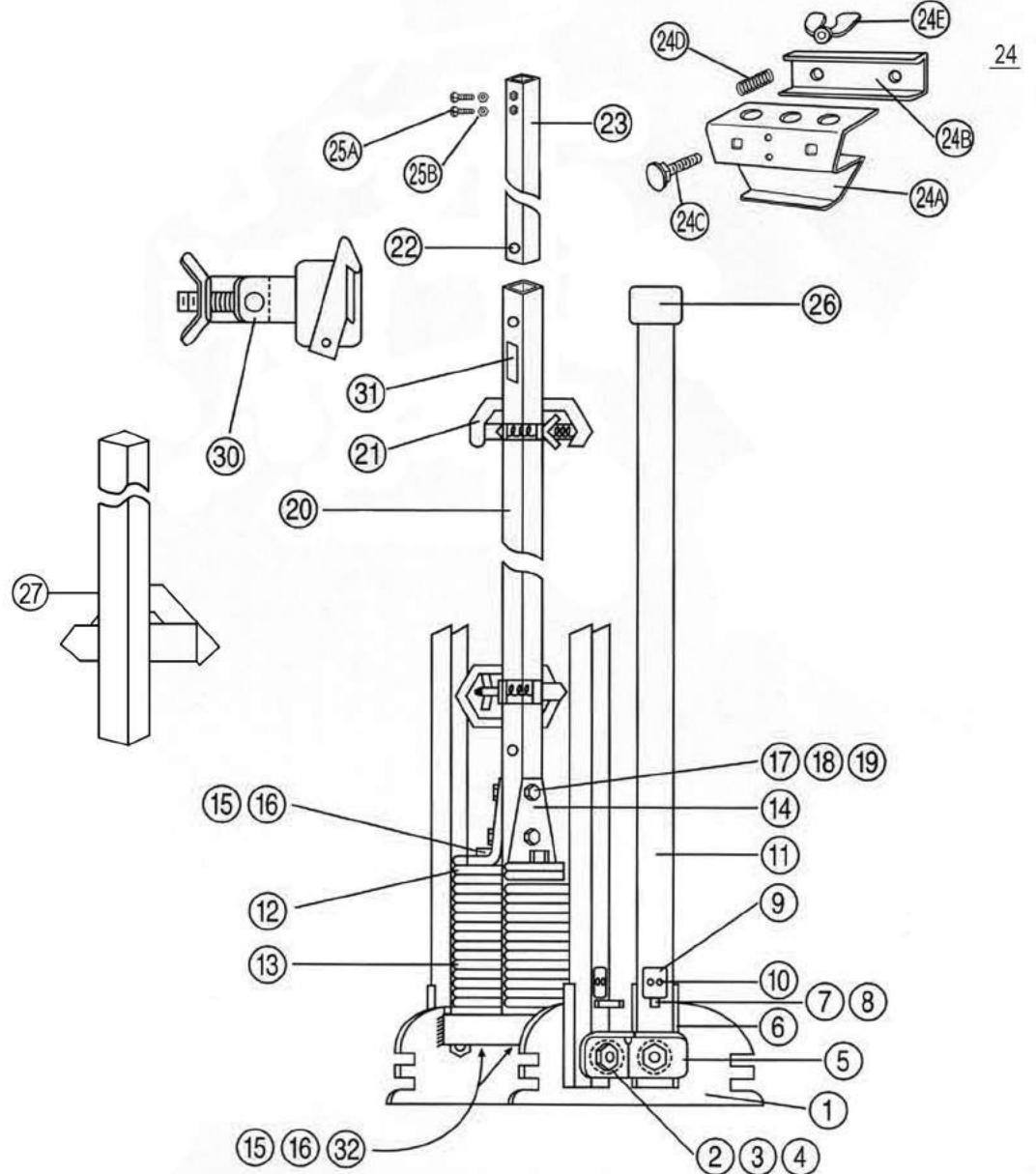
PART NUMBER	ITEM DESCRIPTION	QTY ASSEM.	UNIT LIST PRICE (\$)
1	24301	Base Plate	34.80
2 & 18	24302	Hex. Lock Nut	0.25
3	24303	Spacer Washer	2.55
4 & 17	24304	Hex. Bolt	0.55
5	24305	Tie Bracket	3.75
6	24306	Channel Bracket	1.45
7	24307	Step Lever	1.55
8	24308	Extension Spring	0.55
9	24309	Cover Plate	0.30
10	24310	Round Head Screw	0.10
11	24311	Leg Including: 24326 Excluding: 24307 - 24310	12.00
12	24312	Insert Plug	5.25
13	24313	Spring	15.40
14	24314	Spring Bracket	6.30
15	24315	Hex. Bolt	0.55
16	24316	Lock Washer	0.15
19	24319	Lock Washer	0.15
20	24320	Outer Mast	13.45
21	24321	Rigid Sign Bracket	19.80
22	24322	Inserted Play Spring	1.75
23	24323	Inner Mast Excluding: 24322, 24324, 24325	12.90
24	24324	Flag Holder Assembly	13.90

FLAG HOLDER ASSEMBLY INCLUDES THE FOLLOWING:

24A	24324A	Flag Holder	8.40
24B	24324B	Flag Holder Clamp	3.30
24C	24324C	Carriage Bolt	0.35
24D	24324D	Compression Spring	0.45
24E	24324E	Butterfly Nut	0.35
25A	24325A	Round Head Screw	0.15
25B	24325B	Lock Nut	0.15
26	24326	Black Cap	1.10
27	24350	"350 COMPLIANT" Rigid Sign Bracket	34.00
30	24000-BRU	Spring Loaded Roll-Up Sign Bracket (Optional)	23.00
31	24031-SS	Sign Side Decal & Label	2.00
32	24329	Stiffener Washer	0.55



Traffix® Little Buster® Sign Stand



U.S. PATENTS : 4,980,984 ; 5,446,984 ; 5,611,509 ;
5,624,092 ; 5,836,558